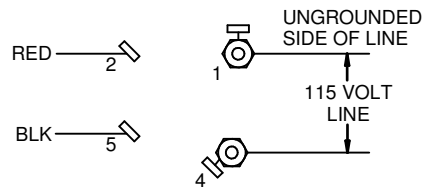




Catalog #: 8200

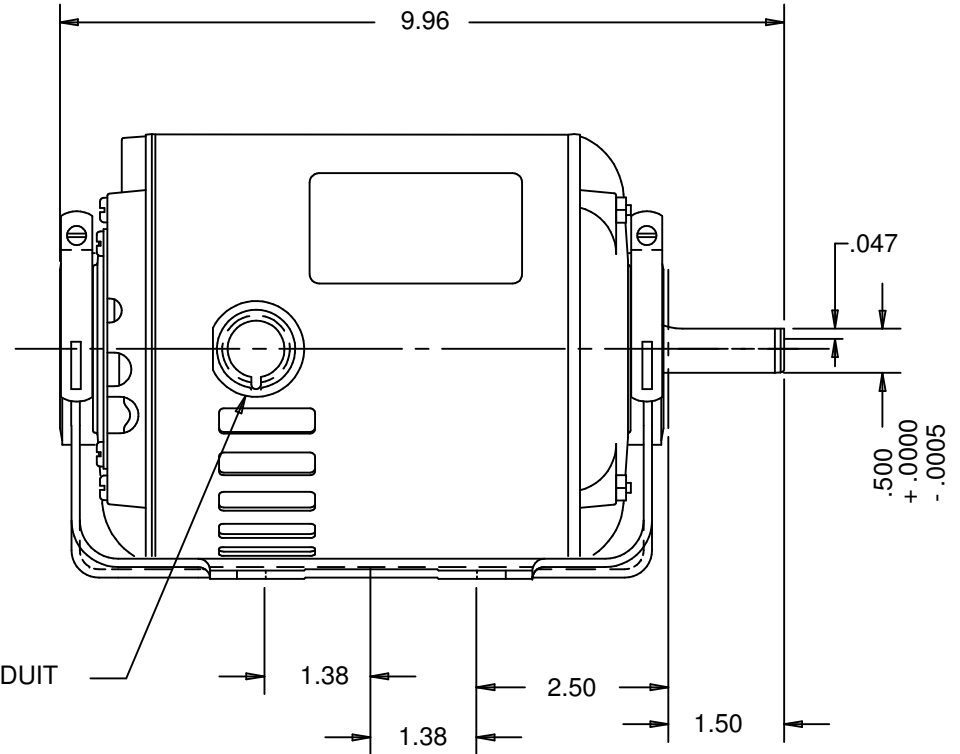
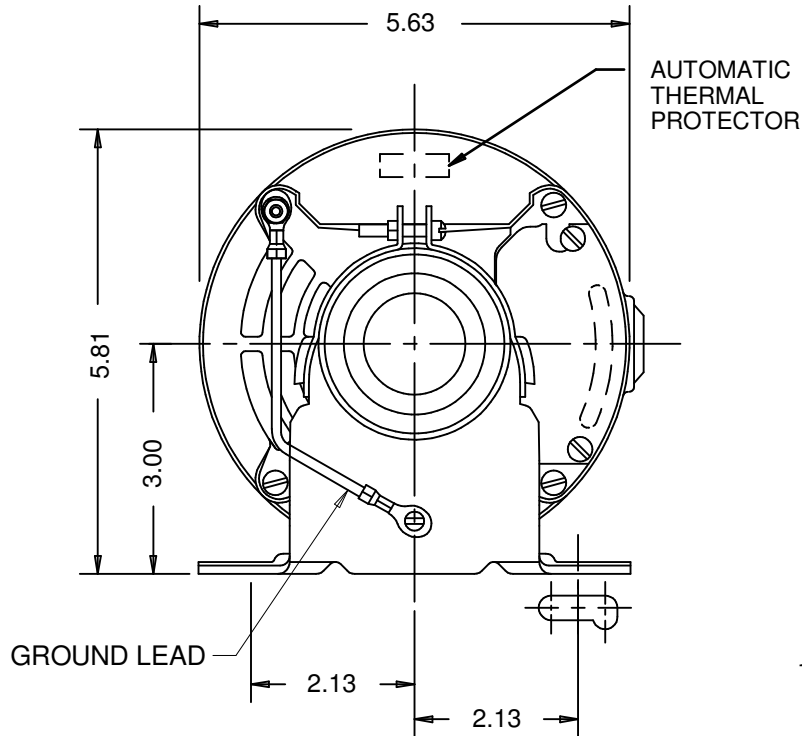
MODEL NUMBER :	SA55SFC4867722B
PRODUCT NAME:	.5 HP - OPEN - 1725
PHASETYPE:	1_SPLIT PHASE
MOTOR ENCLOSURE:	OPEN
HORSEPOWER:	.5
KILOWATTS:	0.4
POLES:	4
NUMBER SPEEDS:	1
RPM:	1725
HERTZ:	60
VOLTS PRIMARY:	115 V
VOLTS :	115
FRME :	48
STATOR DIAMETER:	5.5
STACK:	2
MOUNTING:	RESILIENT
MOTOR TYPE:	FHP
OPPOSITE END BEARING:	6203
SHAFT END BEARING:	6203
AMBIENT:	40
ROTATION:	CCW LEAD END REV
SERVICE FACTOR:	1.25
SHIPPING WEIGHT:	18
THERMAL PROTECTION:	AUTOMATIC RESET
BREAKDOWN TORQUE:	60.06
BREAKDOWN TORQUE UOM:	OZFT
LOCKED ROTOR TORQUE:	27.4
LOCKED ROTOR TORQUE UOM:	OZFT
INSULATION CLASS:	B
KVA CODE LETTER:	M
LOCKED ROTOR AMPS:	39.33
FULL LOAD AMPS PRIMARY:	8.0
SERVICE FACTOR AMPS PRIMARY:	9.0

CONNECTIONS



TO REVERSE ROTATION
SWITCH RED & BLK LEADS

SUPPLIED DETACHED:
1-5/8 SHAFT ADAPTER
1-SHAFT KEY
1-KIT BAG



NIDEC MOTOR CORPORATION 20-Nov-18

BALL BEARING

MODEL	REF	CUSTOMER	HP	VOLTS	AMPS	HZ	RPM	ROTATION	CUSTOMER PN
SA55JXSFC-4867		STANDARD	1/2	115	8.0	60	1725	CCW LEAD END REV	8200

SHEET NUMBER	REV	REVISION RECORD FOR: ECO E32680
1 OF 1	E	WAS CHANGED THE NOTE OF (FORM INSTAL. INSTR.) TO (KIT BAG).
REVISION DATE		
21-NOV-18		

INFORMATION DISCLOSED ON THIS DOCUMENT IS CONSIDERED PROPRIETARY AND SHALL NOT BE REPRODUCED OR DISCLOSED WITHOUT WRITTEN CONSENT OF NIDEC MOTOR CORPORATION

ALL DIMENSIONS ARE FOR REFERENCE ONLY UNLESS TOLERANCE IS GIVEN

NIDEC MOTOR CORPORATION

ISSUED BY	REVIEWED BY	ENGINEER APPROVED
G. ISASSI	K. MORT	T. BOSSALLER

TITLE	CODE	ITEM NO.	SIZE
ASSEMBLED VIEW	V01	255738	A

Split Phase Belted Fan and Blower NEMA[®] 48 Frame, Single and Two Speed

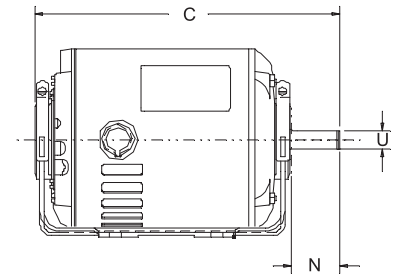


APPLICATIONS:

Designed to meet manufacturer's requirements for belted fans and blowers.

FEATURES:

- Resilient Base
- Class B Insulation Unless Otherwise Noted
- With Threaded Conduit Hole
- Reversible Rotation
- Automatic Reset Thermal Overload Protector
- **Discount Symbol: DS-3HAC**



Single Speed, Open Drip Proof

HP	RPM	Voltage	Catalog Number	List	Bearings	NEMA Frame	Amps	Shaft N	Shaft U	Protector	Total C	SF	Ship Wt.	Notes
1/6	1725	115/208-2930	3615	\$133	Ball	48	3.6/1.7-1.8	1.5	.500	Auto	8.4	1.35	14	
1/4	1725	115	8000	\$127	Ball	48	5.3	1.5	.500	Auto	8.9	1.35	13	77, 79
		115	840CV	\$128	Ball	48	5.3	1.6	.500	Auto	9.4	1.35	16	80,81,82
	1725	115/208-230	PD6002	\$151	Ball	48	5.2/2.5-2.6	2.25	.500	Auto	10.2	1.35	22	80
		115/208-230	3618	\$136	Ball	48Z	5.2/2.5-2.6	1.875	0.500	Auto	9.3	1.35	14	
1/3	1725	115	8100	\$132	Ball	48	6.4	1.5	.500	Auto	9.4	1.35	15	77, 79
		115	841CV	\$133	Ball	48	6.4	1.6	.500	Auto	9.9	1.35	18	80,81,82
	1725	115/208-230	PD6004	\$178	Ball	48	6.6/3.1-3.3	2.25	.500	Auto	10.7	1.35	17	80
1/2	1725	115	8200	\$158	Ball	48	8.0	1.5	.500	Auto	10.0	1.25	18	77, 79
		115	1542C	\$168	Ball	48	8.0	1.6	.500	Auto	9.9	1.25	21	80
	1725	115/208-230	PD6006	\$219	Ball	48	8.6/4.2-4.3	1.9	0.500	Auto	10.7	1.25	22	98,80,81

Two Speed, Open Drip Proof

HP	RPM	Voltage	Catalog Number	List	Bearings	NEMA Frame	Amps	Shaft N	Shaft U	Protector	Total C	SF	Ship Wt.	Notes
1/3-1/6	1725/1140	230	1789	\$404	Ball	48	2.9	1.6	.500	Auto	10.4	1.35	22	A

Note 77: With Shaft Adapter For 5/8" Shaft.

Note 79: Combination Mounting Holes For NEMA[®] 48 & 56 Frame Dimensions

Note 80: Canadian Standard — Connected CCWLE (Reversible)

Note 81: Canadian Standard — May Be Used With Single Pole Single Throw Switch, Not Stocked For US Distribution

Note 82: Open, Ventilated

Note 98: 50/60 Hz

Note A: Class A Insulation